



OCi-6902A Series Digital Process Indicators

1.0 General Description

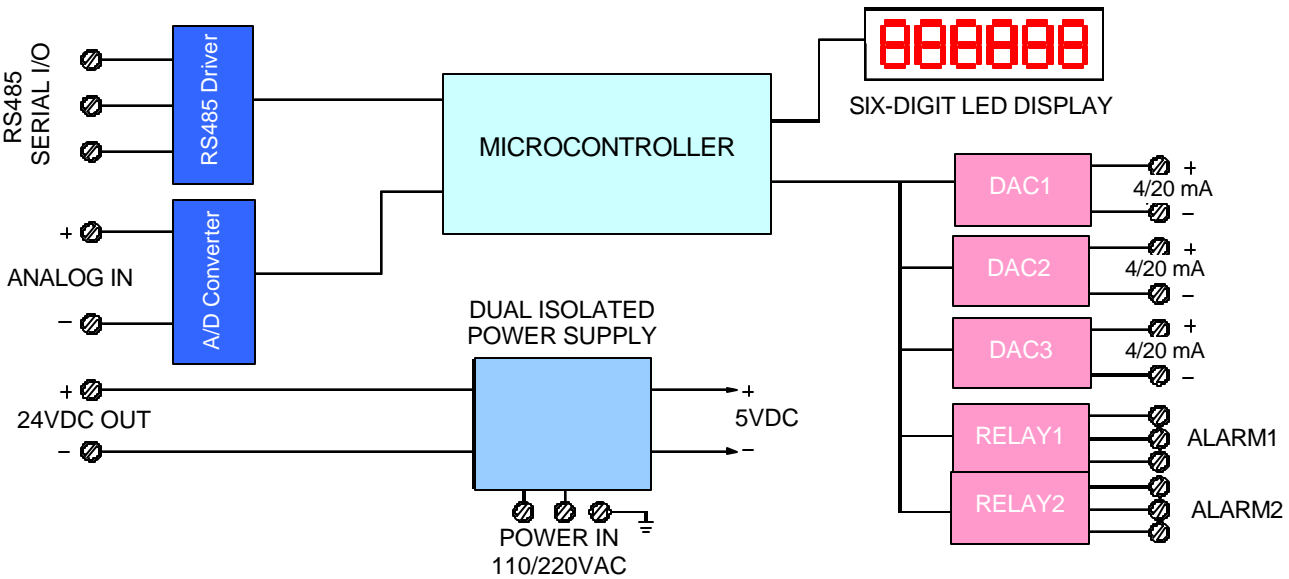
The OCi-6902A is a six-digit, microprocessor-based, digital process indicator manufactured by Olympic Controls, Inc. to be used principally as a field mounted indicator, local to the process to be monitored. It is therefore offered in either a weatherproof, corrosion resistant NEMA 4X rated box or in an explosion-proof (NEMA 7) rated enclosure. In addition to the high-efficiency, seven segment, red LED display, the 6902A offers up to three optically isolated, mA output plug-in cards, which can be used as 4-20 mA transmitters.

The intended application, which takes advantage of most features offered with this design, is as Level/Interface/Temperature indicating transmitter from a smart level gage. One of the programs offered with this product interfaces with the serial (RS-485) output code of an MTS Direct Digital Access (DDA) level gage.

Other programs and optional hardware have been written to accept analog 4-20 mA inputs and to display level, volume or mass in a tank, including embedded strapping tables for horizontal tanks or other linear or irregular tank shapes. HI/LO alarm indication (point LED's) are standard. Two relay output contacts, corresponding to the point LED's, are optional.



2.0 Simplified Block Diagram



3.0 General Specifications (for Level Application)

Serial Input: RS-485 Half-duplex, bidirectional, proprietary protocol or modbus® (consult factory)

Analog Input: 4-20 mA proportional to level in tank **Input Resistance:** 50 ohms **Loop Power:** 24vdc (150 mA max)

Display: High efficiency, six-digit, 7-segment LED, 0.55" high numerals

Point LED's: High efficiency LED for 1. Level, 2. Interface or Volume, 3. Temperature or Mass, 4. High Alarm, 5. Low Alarm.

Display Variables: Level, Volume, Mass in six-digit, floating point format

Edit Functions: DIP Switch and UP/DWN push-button combination enable the editing function using the six-digit display.

Analog Outputs: Up to three 4-20 mA optically isolated outputs (two outputs when an analog input is used).

Output Accuracy = 0.05% FS.

NOTE: Outputs are similar to a two-wire transmitter requiring external loop supply although the internal 24vdc loop supply may be used, if isolation is not required.

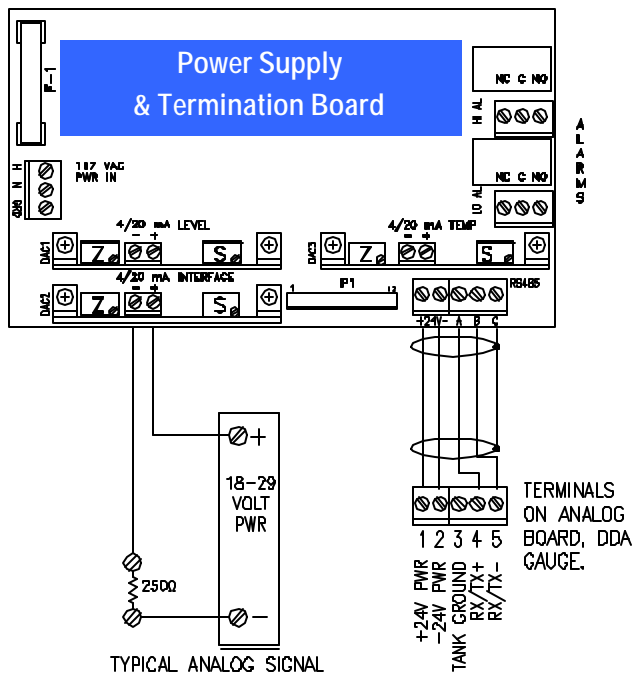
Special Tank Tables: Selectable Linear and up to two factory-programmed tables via DIP switches.

Display Accuracy: +/-0.01% FS

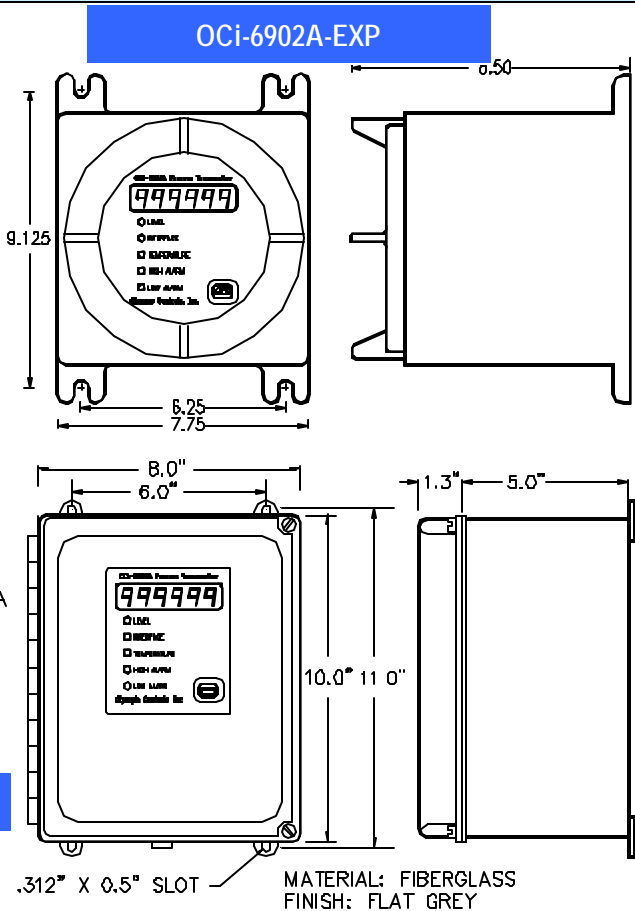
Power: 110/220 vac, +/-10%, 12 VA, 50/60 Hz.

Housings: NEMA 4X or Explosion proof, surface mounting. Explosionproof suitable for installation in Class I, Div. 1, Groups C & D and Class II, Groups E, F & G, hazardous locations.

4.0 Dimensions & External wiring



TYPICAL ANALOG SIGNAL WIRING LOAD MAY BE ANY DESIRED VALUE THAT THE POWER SUPPLY CAN SUPPORT.



OLYMPIC CONTROLS, inc.

12818 CENTURY DRIVE, STAFFORD, TX 77477 PH: 281-240-1540 FAX: 281-240-1538